

**RAVINA SUBDIVISION AND
WATER VALLEY METROPOLITAN
DISTRICT NO. 3**

Windsor, Colorado

**RESIDENTIAL IMPROVEMENT GUIDELINES
AND
SITE RESTRICTIONS**

Updated: February 1, 2024
(RIGSR subject to change without notice)

FB

These Residential Improvement Guidelines and Site Restrictions have been prepared by Ravina Investments, LLC (“Declarant”) for the Water Valley Metropolitan District No. 3 (“District”). The District and/or Declarant reserve the right to add to or modify these guidelines at its discretion. Please check with the District to be certain that you have the latest edition.

**RESIDENTIAL IMPROVEMENT GUIDELINES
AND SITE RESTRICTIONS FOR RAVINA SUBDIVISION AND WATER VALLEY
METROPOLITAN DISTRICT NO. 3**

I. INTRODUCTION.

1.1. Basis for Guidelines – These Residential Improvement Guidelines and Site Restrictions (“RIGSR”) are intended to assist homeowners/residents in Ravina Subdivision and Water Valley Metropolitan District No. 3 (“Property”) in the design of their homes, landscaping and other improvements to their property as provided for in the Declaration of Covenants, Conditions and Restrictions for Ravina Subdivision and Water Valley Metropolitan District No. 3 (“Declaration”) and to list the rules and regulations adopted by the Declarant and/or District with respect to the use of residential sites. **THE DECLARATION FOR THE PROPERTY REQUIRES PRIOR APPROVAL FROM THE ARCHITECTURAL CONTROL COMMITTEE BEFORE ANY IMPROVEMENT TO PROPERTY.** “Improvement(s)” is very broadly defined in the Declaration. For instance, “Improvement(s)” would include any landscaping or change of the grade of property; the construction or installation of any accessory building, patio, deck, pool or hot tub; the demolition or removal of any building or other improvement; and any change of exterior appearance of a building or other improvement. In order to assist Owners, the Declaration authorizes the Architectural Review Committee (“ARC”) to establish guidelines and to establish certain pre-approved designs for several types of improvements to property and to exempt certain improvements to property from the requirement for approval. This booklet contains the guidelines established by the ARC with respect to residential property. Throughout this document the term “Property” shall refer to a residential site.

1.2. Contents of Guidelines – In addition to the introductory material, these RIGSR contain: (a) a listing of specific types of improvements which Owners might wish to make with specific information as to each of these types of improvements; (b) rules and regulations applicable to residential sites; and (c) a summary of procedures for obtaining approval from the ARC.

1.3. Architectural Control Committee – The ARC shall consist of not less than three (3) nor more than five (5) persons who are appointed by the Declarant and/or District.

1.4. Effect of Declaration – The Declaration and applicable Supplemental Declarations govern property within Ravina Subdivision and Water Valley Metropolitan District No. 3. Copies of the Declaration are delivered to new homebuyers when they purchase their homes and are available at any time at the ARC office. Each Owner should review and become familiar with the Declaration. Nothing in these RIGSR can supersede or alter the provisions or requirements of the Declaration and, if there is any conflict or inconsistency, the Declaration shall control. Provisions relating to the use of Property and to Improvements to Property are found in the Declaration.



1.5. Effect of Governmental and Other Regulations – Use of Property and Improvements to Property must comply with applicable building codes, Town of Windsor ordinances and other governmental requirements and regulations. Approval by the ARC will not constitute assurance that improvements comply with applicable governmental requirements or regulations or that a permit or approvals are not also required from applicable governmental bodies. For general information about municipality and governmental requirements, Owners may contact the Town of Windsor.

1.6. Utilities – In making improvements to Property, Owners are responsible for locating all water, sewer, gas, electrical, cable television or other utility lines or easements. Owners should not construct any improvements over such easements without the consent of the utility involved and Owners will be responsible for any damage to any utility lines. This includes any interference from installed trees and/or roots by the homeowner or to any surrounding property. All underground utility lines and easements can be located by contacting the following entities:

Know What's Below by dialing 811

1.7. Goal of Guidelines – Compliance with these RIGSR and the provisions of the Declaration will help preserve the inherent architectural and aesthetic quality of the Property. It is important that the Improvements to Property be made in harmony with and not detrimental to the rest of the community. A spirit of cooperation with the ARC and neighbors will go very far in creating an optimum environment which will benefit all Owners. By following these RIGSR and obtaining approvals for Improvements to Property from the ARC, Owners will be protecting their financial investment and will help ensure that Improvements to Property are compatible with standards established for the Property. If questions arise as to the correct interpretation of any terms, phrases or language contained in these RIGSR, the ARC's interpretation thereof shall be final and binding.

1.8. Account delinquencies or non-compliance status. No ARC applications will be reviewed if a Property is delinquent or if a Property is out of compliance. Property must be in compliance and account shall be current for any ARC applications to be reviewed.

II. SPECIFIC TYPES OF IMPROVEMENTS – GUIDELINES.

2.1. General – Following is a list of restrictions and improvement guidelines. **UNLESS OTHERWISE SPECIFICALLY STATED (SEE SECTION 2.10), DRAWINGS OR PLANS FOR A PROPOSED IMPROVEMENT MUST BE SUBMITTED TO THE ARC AND THE WRITTEN APPROVAL OF THE ARC OBTAINED BEFORE THE IMPROVEMENTS ARE MADE.** Drawings digitally submitted must be high resolution. In some cases, where it is specifically so noted, an Owner may proceed with the improvement without advance approval by the ARC if the Owner follows that stated guideline. In rare cases, where specifically stated, a type of improvement is strictly prohibited. If an Improvement is not listed below, ARC approval is required. If the homeowner is in any way unsure of whether ARC approval is required, please contact the District.

2.2. Accessory/Storage Buildings – Not permitted unless approved by the ARC. Must be screened from view of street and/or public view. Must not exceed eight feet (8') in height from



grade (to include any concrete pad and/or base) and be constructed with similar siding and roofing and match paint of property. Metal, plastic and composite storage buildings are not permitted. Each homeowner is permitted one (1) ARC approved accessory building per Lot and must be screened from view.

2.3. Additions and Expansions – ARC approval required. Additions or expansions to homes will require submission of detailed plans and specifications. (See also Building Plans).

2.4. Advertising – See Signs.

2.5. Air Conditioning Equipment – ARC approval required regarding the type and placement of unit unless installed by original builder of home.

2.6. Antennae – Not permitted. No exterior radio antennae, television antennae or other antennae may be erected. Satellite dishes are allowed provided they do not exceed 24” in diameter and placement of such satellite is approved by ARC (See also Satellite).

2.7. Basketball Backboards, Portable and Permanent Backboards. ARC approval required for every type of basketball goal. Portable/freestanding and garage mounted backboards are not allowed. Permanently installed basketball pole may be approved if reasonably placed, and based upon, but not limited to, the following considerations: proximity of goal to the property lines, proximity to the neighbor’s living area, landscaping and vehicles.

2.8. Boats – See Vehicles.

2.9. Building Code – All structures must conform to the applicable building codes of the Town of Windsor. Approval by the ARC of plans does not imply compliance with any building code or ordinances. The Owner and/or builder, as applicable shall be required to obtain a building permit from the Town of Windsor and obtain the necessary inspections for a certificate of occupancy.

2.10. Building/Construction Plans –

2.10.1. General – The review and plan submittal procedures have been written to accommodate the most complex conditions that may exist in the variety of construction activities. Procedures may be waived or certain listed submittal items may not be required by the ARC. The ARC should be consulted to determine what information will be required for review. No review will take place unless the Lot and/or applicant is in compliance with all of these Guidelines and the Declaration as set out in Section 1.8.

2.10.2. Submittal Fee – A one-time review fee of \$50 shall be paid to the District upon submission. “ARC Fee” and address must be noted on the check. Subject to the ARC’s sole discretion, a compliance fee may also be required. If required, such compliance fee shall be refunded after inspection of the completed improvement to verify compliance with approved plans.

FB

2.10.3. Construction Drawings Submittal – All construction drawings should be approved by the ARC prior to submittal to the Town of Windsor for a building permit and prior to any construction. A total of two sets of construction drawings are required to be submitted to the ARC. Each set should consist of:

- Size and square footage of finished space, including floor plans.
- Exterior elevations.
- Exterior colors and samples of exterior materials. All colors must conform to the requirements of the ARC. Colors must be earth tones. Blue or Peach shades are not acceptable. Shingles shall be a weathered wood or comparable color only as approved by the ARC.
- Such plans must demonstrate that the improvements are in harmony with the design of the surrounding structures.
- Plot layout with respect to topography, grade and drainage in relation to existing dwellings and drainage.

2.10.4. Landscaping– Landscaping plans must be submitted prior to commencement of landscaping. Plans must depict proposed fences and gates, decks, sod, seeded areas, retaining walls (generally not permitted pursuant to Section 2.18), rock, railroad ties, sprinkler system plan, sizes and species of nursery material, and include a drainage and grading plan showing compliance with the municipality approved drainage and grading plan. Other requirements are as follows:

- Plans must include a timetable for starting and completing of the landscape and provided in writing within sixty (60) days following closing and purchase of the property.
- The total yard will consist of irrigated sod, non-irrigated material such as rock mulch, bark or other non-irrigable materials approved by the ARC. Artificial turf is prohibited in front yards. All other uses must be approved by the ARC.
- Artificial plants, bare ground, and weed covered or weed infested surfaces are not considered xeriscape landscaping and are not allowed. In addition, mulched or graveled beds without landscape plant material or other areas without landscape plant material, and paved areas not required for walkways, patios or parking areas, are not considered xeriscape landscaping and may be limited or prohibited by the ARC.
- Landscaping must be completed within three hundred sixty five (365) days following closing.
- Must be connected to the seasonal Non-Potable Water System that is operated by Poudre Tech Metropolitan District and subject to their Water Rules and Regulations.
- The Town of Windsor may have requirements for landscaping and types of trees acceptable for the front and back yards of individual lots. The Town of Windsor should be consulted prior to ensure compliance with any applicable ordinances.
- Each Lot shall at all times be kept in a clean and sightly condition by the Owner(s) thereof. Such maintenance obligation upon each Lot shall include

the upkeep of all street trees and street scape area up to the street curb. The specific street trees required to be installed along the street must be in accordance with the approved landscape plans. In the event accumulation of debris or growth of weeds is not properly maintained by the Owner, the District shall retain the right to enter the Lot and mow, collect and remove debris or otherwise maintain the Lot, and the Owner of the Lot shall pay expenses incurred by the District to the District.

2.10.5. Review and ARC Action – Following the review, the ARC shall:

- Approve or disapprove the plans as required by the Declaration, in writing, on the builder's or Owner's set of plans and specifications.
- Failure of the ARC or designated representative to approve or disapprove plans and specifications within thirty (30) days of submittal requires contacting the District to obtain the status of the submittal. Occasionally a 2nd submittal will be required. If ARC fails to respond within thirty (30) days after the 2nd submittal, such 2nd submittal shall be interpreted as approval subject to compliance with the Declaration and subject to Section 1.8 of the Guidelines. Deemed approval shall only apply when matters specifically and sufficiently described in plans and specifications are submitted to, and received by, the ARC and are in full compliance with the Declaration and RIGSR.
- All buildings and improvements shall follow the letter of the plans and specifications submitted and approved by the ARC. Any changes to approved plans will require the re-submission and approval by the ARC.
- ARC may formulate or adopt guidelines for the assistance or clarifications of the items set forth in the Declaration.
- Approval for one Property does not imply approval for any other Property without the submission of plans and specifications and written approval from the ARC.
- ARC is under no obligation to approve any variances. Any unapproved variances incorporated into any project will result in a non-compliant status, fines and an immediate removal of the improvement.
- Some projects may require an inspection by the District. If the District determines that an inspection for an improvement is needed, the homeowner will be contacted via email or written letter through the US Mail with a "respond by" date. Once the inspection has been scheduled and completed, a \$50 inspection fee will be assessed to the residential account. If a homeowner fails to respond to the District's request for an inspection, subsequent notices and fines will be assessed to the residential account, pursuant to the current schedule of fines, until the inspection has been completed.
- Inspections can be requested by a homeowner for a \$50 fee.

2.11. Campers – See Vehicles.

2.12. Car Covers or Carports – Not permitted.



2.13. Clotheslines – Clotheslines are not allowed on any Lot except as otherwise provided by law or ordinance. Any allowed clotheslines must be retractable and remain retracted when not in use.

2.14. Colors – All colors and color combinations must be approved by the ARC. Repainting when existing color is changed shall require approval by the ARC and include hard copy samples mailed to the district through the US Mail. All projections including, but not limited to, chimney ties, vents, gutters, down spouts, utility boxes, porches, railings and exterior stairways shall closely match the permanent color of the surface from which they project or shall be of an approved trim color. Duplicate color schemes shall not be allowed on adjacent lots, or lots across the street from each other.

2.15. Commercial and/or Oversized Vehicles – A commercial vehicle is defined as, but not limited to, a vehicle that has a business name or logo and/or has equipment attached to or is used for the purpose of providing services to an individual or corporation. An oversized vehicle is defined as a vehicle that cannot be parked within the garage. **All commercial vehicles must be parked in the garage.** Oversized vehicles or ungarageable commercial vehicles must have ARC approval to be parked in the driveway or on the street. Such approval will be based upon, but not limited to, no more than one vehicle, effect on curb appeal, effect on safety, and effect on street traffic. No vehicle, whether commercial or oversized, shall be parked in such a manner that it blocks the sidewalk. (See also Vehicles.)

2.16. Decks – ARC approval required. Must be wood or other material similar to material of the residence and must be treated or painted a similar or in what is generally accepted as a complementary color to the residence. Must be installed as an integral part of the residence and patio area. Must be located so as not to obstruct or greatly diminish the view, or create an unreasonable level of noise for adjacent property Owners. Must abide by all set-back requirements and may not encroach upon any other lot.

2.17. Dog Houses, Runs and Pet Enclosures – ARC approval required. Must be screened from view of street and/or public view. Wire and/or chain-link enclosures are not permitted (See also Fences.)

2.18. Drainage – ARC approval required for any changes affecting drainage. There can be no interference or modification of the final governmental approved drainage and grading plan over any Property. When landscaping is installed, it is very important to ensure that water drains away from the foundation and driveways of the house and that the flow patterns prevent water from flowing under or ponding near or against the house foundation, walkways, sidewalks, and driveways. Water should flow over walkways, sidewalks or driveways, into the street gutters. The ARC may require a report from a drainage engineer at Owner's sole expense as part of the landscaping or improvement plan approval. Should any improvement affect the drainage upon a Lot or any surrounding property, the homeowner that installed the improvement shall be held solely responsible for any and all damages (including but not limited to property, French drains, retaining walls, etc). Additionally, the homeowner will be responsible for removing the improvement(s) and returning the Lot back to the original grade and drainage pattern.

13

2.19. Driveways – There shall be no expansion or extension of driveways without prior ARC approval.

2.20. Elevation Treatments – ARC approval required. Architectural design shall incorporate a consistent level of architectural interest in all elevations.

2.21. Entrances (Front) – Synthetic turf/sod is not allowed on walks, front steps or decks. Storm/Screen doors may be installed as long as color of such door compliments existing paint colors.

2.22. Evaporative Coolers – Not allowed. (See also Air Conditioning Equipment.)

2.23. Exterior Lighting – See Lights and Lighting.

2.24. Fences – ARC approval required for all fencing and gates. The following are general guidelines regarding fence specifications:

- Fencing location, style and material must match subdivision requirements.
- Fence must be setback a minimum of 5' from the front corners of house and garage.
- Fence must be installed per setback requirements as set by Town of Windsor. Please note that it is the Owner's responsibility to maintain this area between the fence and the street curb. The Owner accepts the responsibilities assumed by placing a fence in an easement.
- All fencing shall be maintained in good repair and shall be of the size, color and material as approved by the ARC.
- No vinyl, metal, wire, plastic or chain link fences shall be allowed.
- No side or rear gates allowed. All gates must be installed facing the front of the property.
- Fenced areas may not be used as additional parking spaces for commuter vehicles or any vehicles and/or equipment that may be seen above the fence line.
- Split rail perimeter/open space fencing installed by the developer/District may not be removed, changed, or modified.
- General Fencing Guidelines:
6' cedar privacy fencing may be installed by Owners on shared property lines. See Fencing Exhibit for fencing design. If fencing connects to any split rail fencing, privacy fence must taper down to the split rail height.

Fence Stain Required –All fences, interior and exterior, shall be stained using Sherwin Williams: **FCC #: 14446** Rain Dance Red

CCE*Colorant:	0Z	32	64	128
B1-Black:	-	4	-	-
R2-Maroon:	-	9	-	-
Y3-Deep Gold:	-	-	-	1
R3-Magenta:	-	2	-	-
G2-New Green:	-	1	1	-

15

2.25. Fireplaces/Fire Pits – Gas fireplaces must either be housed within the exterior wall or, if protruding to the outside, they must be housed and vented in chase/chimney-like structure to the roof and finished with a decorative top in keeping with the architecture of the home. Homeowner must contact the Town of Windsor for their regulations and/or ordinances on fire pits.

2.26. Flagpoles – Approval is not required when displaying the American Flag in a window or when mounted to the front of the residence. Any projecting flagpole shall be no longer than five feet (5'). Flag size cannot exceed five feet (5') in length and three feet (3') in width. The Owner shall replace the flag and/or flagpole as necessary in order to prevent wear and tear.

Approval is not required for flag poles mounted to the front of the residence displaying any flags other than the American Flag which are temporary in nature and are only displayed on holidays or in celebration of specific events. They must not be placed earlier than fifteen (15) days prior the start of the particular holiday/event or celebration and must be removed no later than fifteen (15) days following the particular holiday/event or celebration.

Approval is not required for the display of a service flag denoting the Owner's or their family member's active or reserve U.S. military service. The flag may be displayed on the inside of a window or door of the unit or immediately below the American Flag on a pole. The flag may not be larger than nine inches ("9") by sixteen inches (16").

ARC approval **IS** required for any stand-alone flag pole. Review criteria may include, but is not limited to the pole location, height, proposed use and size of flag. Stand alone flagpoles shall not be allowed in front yards or side yards except for temporary builder show homes. Flagpoles may not exceed the height of twenty feet (20'). Any builder wishing to install a flag pole which exceeds the twenty feet (20') height, may do so, however such flag pole and any installed lighting must be removed prior the sale to the subsequent Owner.

2.27. Gardens –ARC approval required. (See also Landscaping.)

2.28. Hot Tubs – ARC approval required. Must be an integral part of the deck or patio area and of the rear or side yard landscaping. Must be installed in such a way that is not immediately visible to adjacent property Owners and does not create an unreasonable level of noise for adjacent property Owners. Top of the hot tub or enclosure shall not extend above fence height and/or screened from public view accordingly. The non-potable irrigation system is for irrigation purposes only, it cannot be used to fill a hot tub.

2.29. Household Pets – No animals, livestock, poultry, venomous reptiles or bees of any kind shall be raised, bred, kept or boarded upon any lot, except that of dogs, cats or other household pets as the same may be defined and determined by the Governing Board may be kept on any portion of the Property, provided the same are not kept, bred or maintained for any commercial purposes. The Governing Board may, in its sole discretion, limit the number, size and weight of household pets which may be kept upon any Lot. However, each Owner shall have the right to keep a maximum of two (2) household pets on any lot. Household pets shall be subject to any and all Rules or Regulations adopted by the Governing Board and all applicable governmental

B

ordinances and laws. Each Owner with a pet shall be responsible for cleanup and removal of such pet's excrement upon the Common Elements and any Property.

2.30. Junk Vehicles – See Vehicles.

2.31. Lattice Work – ARC approval required.

2.32. Lights and Lighting – Conventional style with illumination patterns that do not cause a nuisance to neighboring properties.

2.33. Overhangs (Cloth or Canvas) – ARC approval required. The color must be the same color as, or generally recognized as, a complementary color to the exterior of the residence. The covering may be used over a patio only. Aluminum or fiberglass awnings are not allowed. Must be firmly and property secured to residence.

2.34. Painting – All houses shall be kept well painted in the color approved with original plans or, if changed, as approved by the ARC. Changes in paint colors require ARC approval. (See also Colors.)

2.35. Patio Covers – ARC approval required. Must be constructed of wood or material generally recognized as complementary to the home and similar or generally recognized as complementary in color to the colors of the home. Must be firmly and properly secured to property. Temporary patio covers are not permitted.

2.36. Patios (Enclosed) – See Additions and Expansions.

2.37. Patios (Open) – ARC approval required. Patios must be an integral part of the landscape plan and must be located so as not to create an unreasonable level of noise for adjacent property Owners. Must be similar to and generally accepted as a complimentary color and design of the residence. Must be located so as not to block any existing drainage pattern on lot.

2.38. Paving – ARC approval required regardless of whether for walks, driveways, porches, patio areas or other purposes and regardless of whether concrete, asphalt, brick, flagstone, stepping stones, pre-cast patterned or exposed aggregate concrete pavers are used as paving material. Must be located so as not to block any existing drainage pattern on the Lot. Additional concrete areas may not be used as additional parking spaces.

2.39. Playhouses/Play Equipment/Sports Equipment – ARC approval required. General guidelines for play houses or swing set to be less than eight feet (8') in height at the peak and less than 120 square feet of interior floor space. Basic design, materials and colors must match the residence, and must be incorporated into, and at least screened by the landscape features and ARC approved fence. Must be firmly and property secured to the property. See also Section 2.7, Basketball Backboards, Portable and Permanent Backboards.

IB

2.40. Pools – ARC approval including detailed plans and drainage plans required. No large above ground pools allowed. The non-potable irrigation system is for irrigation purposes only and cannot be used to the system to fill a pool.

2.41. Radio Antennae – Not allowed.

2.42. Roofs – ARC approval required. All roofs shall be, at a minimum, at least a 25-year warranty composition shingled roof. Weathered wood or comparable color only as approved by the ARC.

2.43. Rooftop Equipment – Not allowed.

2.44. Satellite Dishes – Microwave and/or satellite television dishes are permitted as long as they are twenty four inches (24”) in diameter or smaller and must be screened from view with a privacy wall or fence approved by the ARC.

2.45. Sauna – See Additions and Expansions and Hot Tubs.

2.46. Seasonal Decorations – Permitted with the following qualifications and conditions:

2.46.1. Christmas decorations shall not be displayed prior to Thanksgiving and must be removed by January 10th of the following year.

2.46.2. No roof figures, animated figures or audible music shall be allowed.

2.46.3. Other holiday decorations should be removed within two (2) weeks of celebrated holiday.

2.46.4. No decorations shall be displayed in such a manner as to be offensive to the neighborhood or create a public nuisance.

2.46.5. Up to three lawn figures are allowed, appropriate for the recognized holiday and subject to above restrictions.

2.47. Setbacks – The location and setback of each building on any Lot shall be determined in the sole discretion of the ARC. Location restrictions and limitations shall be consistent with all applicable governmental zoning ordinances, subdivision regulations and building codes. The ARC may, in its sole discretion, require and enforce varied, less or more restrictive setback and location requirements with respect to the various Lots located in the Property. No portion of any improvement or building on a lot may encroach upon another Lot.

2.48. Siding (Exterior Façade) – Cement composite siding. Prefinished or painted minimum or equivalent. 20% pigment and 8” maximum reveal. Vertical siding only as accent or complimentary to specific styles.

2.49. Signs – No sign shall be located on any Lot except reasonably sized signs offering the Lot for sale and except builder or supplier signage during the period of construction, or unless approval for such other sign or signs is obtained in writing from the ARC, said ARC reserving the right to disapprove all such requests for signs except those described above. Builder signs must be removed from Lot within two (2) weeks from date of closing.



2.50. Solar Energy Devices – ARC approval required for all passive and active solar systems. Shall be designed to appear as an integral part of the roof. No exterior plumbing may be visible.

2.51. Spas – See Hot Tubs.

2.52. Square Footage – No dwelling shall be erected, altered or permitted to remain on any lot unless the finished floor space area thereof, exclusive of basement, open porches, garages, and attached out buildings, and based on exterior measurements, is not less than:

2.52.1. 1,200 square feet for a one-story dwelling.

2.52.2. 1,500 square feet for a multi-level dwelling.

2.53. Statues – Statues and lawn ornaments are not allowed in the front yards. Statues in rear or side yards shall not exceed five feet (5') in height.

2.54. Swamp Coolers – Not allowed.

2.55. Swing Sets – See Play and Sports Equipment.

2.56. Television Antennae – Not allowed.

2.57. Temporary Structures – Not allowed.

2.58. Temporary Vehicles – No cars which are being repaired, restored or otherwise being worked on may be kept on any lot unless in an enclosed garage.

2.59. Trailers – See Vehicles.

2.60. Trees – See Landscaping Plans.

2.61. Trash Containers – No garbage, refuse, rubbish or cuttings shall be placed on any street, Lot or driveway unless placed in a container suitably located solely for the purpose of trash pickup. All equipment and/or containers for the storage or disposal of such materials shall be kept in a clean and sanitary condition and stored out of public view except on trash service days.

3

2.62. Vehicles – It is the intent of these Guidelines that the exterior of a Property not be used for the parking or storage of large and/or commercial vehicles and/or equipment of any kind and for any length of time (including overnight) except as necessary for immediate loading and unloading. To that end, no Lot shall be used as a parking or storage area for vehicles or materials of any kind, other than personally owned automobiles of the Owner.

2.62.1. It is the intent that the exterior of a Lot not be used for the storage or large or commercial vehicles or equipment of any kind and for any length of time (including overnight) except as necessary for immediate loading and unloading. To that end, no Lot shall be used as a parking or storage area for vehicles or materials of any kind, other than personally owned automobiles of the Owner. Vehicles shall be parked on or in garages or driveways, if any, serving the Lot, or in appropriate spaces or areas designated by the Declarant or the District. No unused vehicles, trailers, motor homes, campers, buses, tractor trailers, boats, snowmobiles, all-terrain vehicles, motorcycles or similar recreational vehicles shall be stored or permitted to remain for more than three (3) consecutive days on any Lot except within enclosed garages, or within fully screened, fenced areas (for which the unused vehicle, trailer, motor home, camper, bus, tractor trailer, boat, snowmobile, all-terrain vehicle, motorcycle or similar recreational vehicles in question shall not exceed the height of the fence), all as approved by the ARC. For clarification, it is not acceptable to move any unused vehicle, trailer, motor home, camper, bus, tractor trailer, boat, snowmobile, all-terrain vehicle, motorcycle or similar recreational vehicle and repark every day to avoid enforcement of this provision. Without limiting the foregoing, the ARC or the Governing Board shall have the power to grant permission to store such vehicles on a Lot under such conditions as the approving entity shall deem appropriate to protect the rights of other Owners. In addition, unused vehicles, trailers, motor homes, campers, buses, tractor trailers, boats, snowmobiles, all-terrain vehicles, motorcycles or similar recreational vehicles shall be kept, placed, stored or maintained upon any Lot in such a manner that such vehicle is visible from neighboring Lots or any street. Commercial vehicles engaged in the delivery or pick up of goods or services shall be exempt from the provisions of this section provided that they do not remain onsite in excess of the reasonable period of time required to perform such commercial function not to exceed 24 hours. For purposes of this section, a three fourths (3/4) ton or smaller vehicle, commonly known as a "pick-up truck" shall not be deemed to be a "truck" or "commercial vehicle." The term "unused vehicle" shall mean and refer to any vehicle which has not been driven under its own propulsion for a period of four (4) days or longer. Furthermore, no Owner or other Person shall park on or about a Lot (or on the streets adjoining any Lot) for more than three (3) consecutive days, more than one (1) personal passenger vehicle, non-commercial pickup truck or other vehicle, it being the intent of this provision that Owners or other Persons shall not regularly park more than one personal passenger vehicle outside the garage on a Lot.



- 2.62.2.** No motor vehicles of any kind, including cars, trucks, trailers, motorcycles, or the like, may be stored, junked, or otherwise maintained anywhere on the Lot or any other portion of the Property in any idle or unworkable condition.
- 2.62.3.** No motor vehicle or machine will be overhauled or rebuilt on any portion of the Lot, unless entirely enclosed in a garage or other improvement approved by the ARC, in its sole discretion.
- 2.62.4.** Except as otherwise provided, only those vehicles and machines in good running condition, which are currently licensed and registered are permitted on any portion of the Property.
- 2.63.** Vents – ARC approval required for all exhaust vents including but not limited to dryer, cook-tops or range-hoods, gas fireplaces and plumbing vents must comply with ARC approved standards upon review on a case by case basis.
- 2.64.** Walls (Retaining) – ARC approval required with detailed drainage plan.
- 2.65.** Wells – Not permitted upon any Lot.

IB

WATER VALLEY METROPOLITAN DISTRICT NO. 3

ARCHITECTURAL STANDARDS

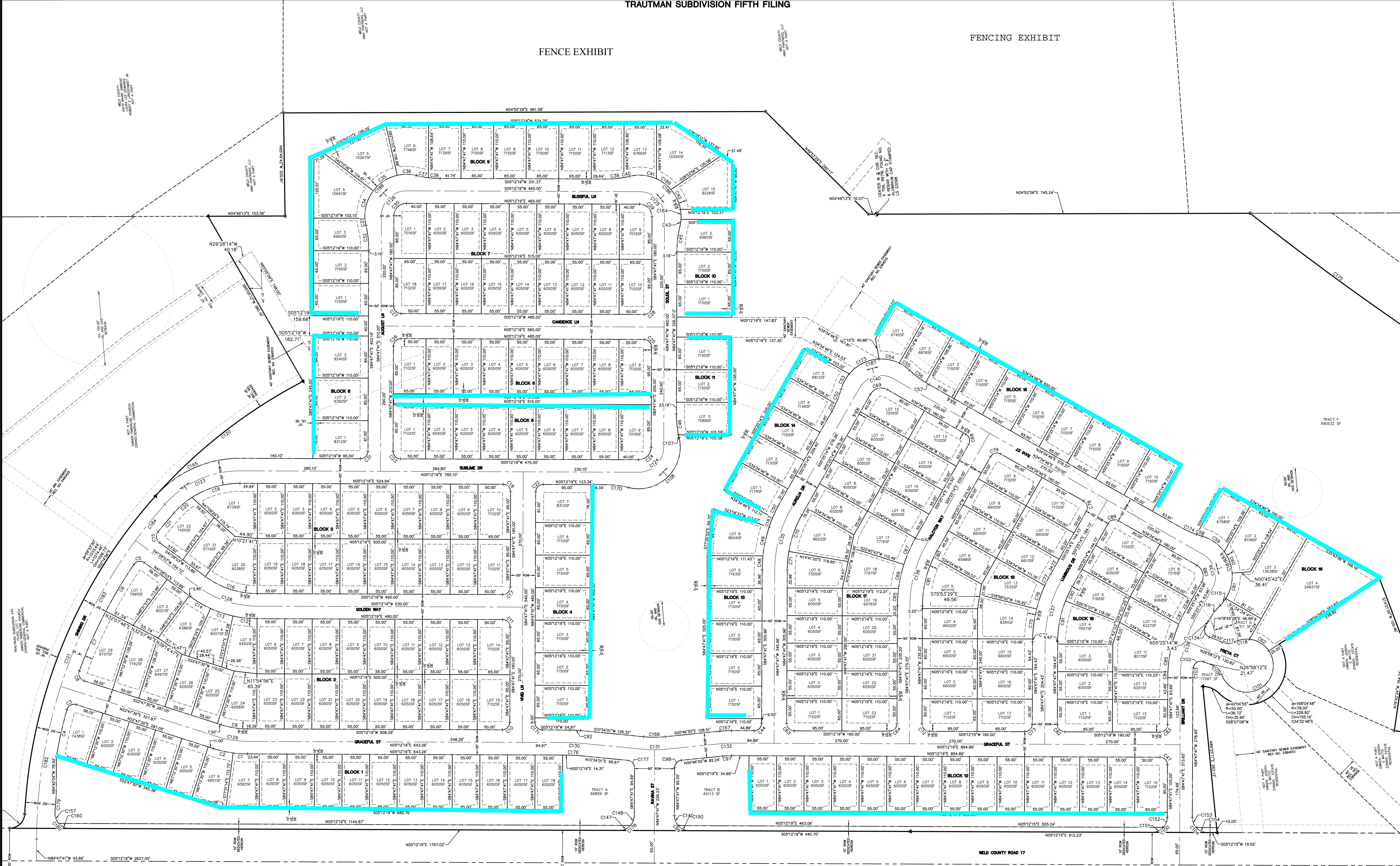
(REQUIREMENTS ARE SUBJECT TO CHANGE)

ITEMS	STANDARD
ABOVE GROUND MINIMUM SQUARE FOOTAGE:	Minimum 1,200 s.f. ranch and 1,400 s.f. split level.
EXTERIORS: Exterior Finish	3' minimum wainscot on front elevation. Brick, masonry or stone. Stucco must be upgraded design with built-out windows and/or other detailing.
Siding	Hardboard/Cement Composite Siding – Prefinished or painted minimum or equivalent. 20% pigment. 8" maximum reveal. Vertical siding only as accent or complimentary to specific styles.
Fascia Soffits	Minimum 6" Minimum 8"
Windows	Painted wood, natural wood, painted steel, anodized aluminum or vinyl cladding. Aligned vertically and horizontally.
Overhang	Minimum 12"
Roof Slope	5/12 or greater.
Decks	TBD
COLORS:	Color selection sheets showing body & trim paint and brick selection must be approved by ARC before installation. All exterior railing, wood, trim must be painted or stained.
ROOFING:	Owens Corning, 30-year, Weathered Wood or equivalent weight and color.
SET BACKS:	Must conform to Town of Windsor standards.
LANDSCAPING:	ARC approval required.
FENCING:	ARC approval required.
TOP OF FOUNDATION:	Minimum elevation as per plans prepared by Engineer. 6" above grade maximum.

IB

FENCE EXHIBIT

FENCING EXHIBIT



8/30/2023 2:27 PM

Must be 3 rail cedar fence stained per Residential Improvement Guidelines.
All other fencing shall be 6' cedar privacy fencing constructed per fence exhibit and stained per Residential Improvement Guidelines.

LEGEND

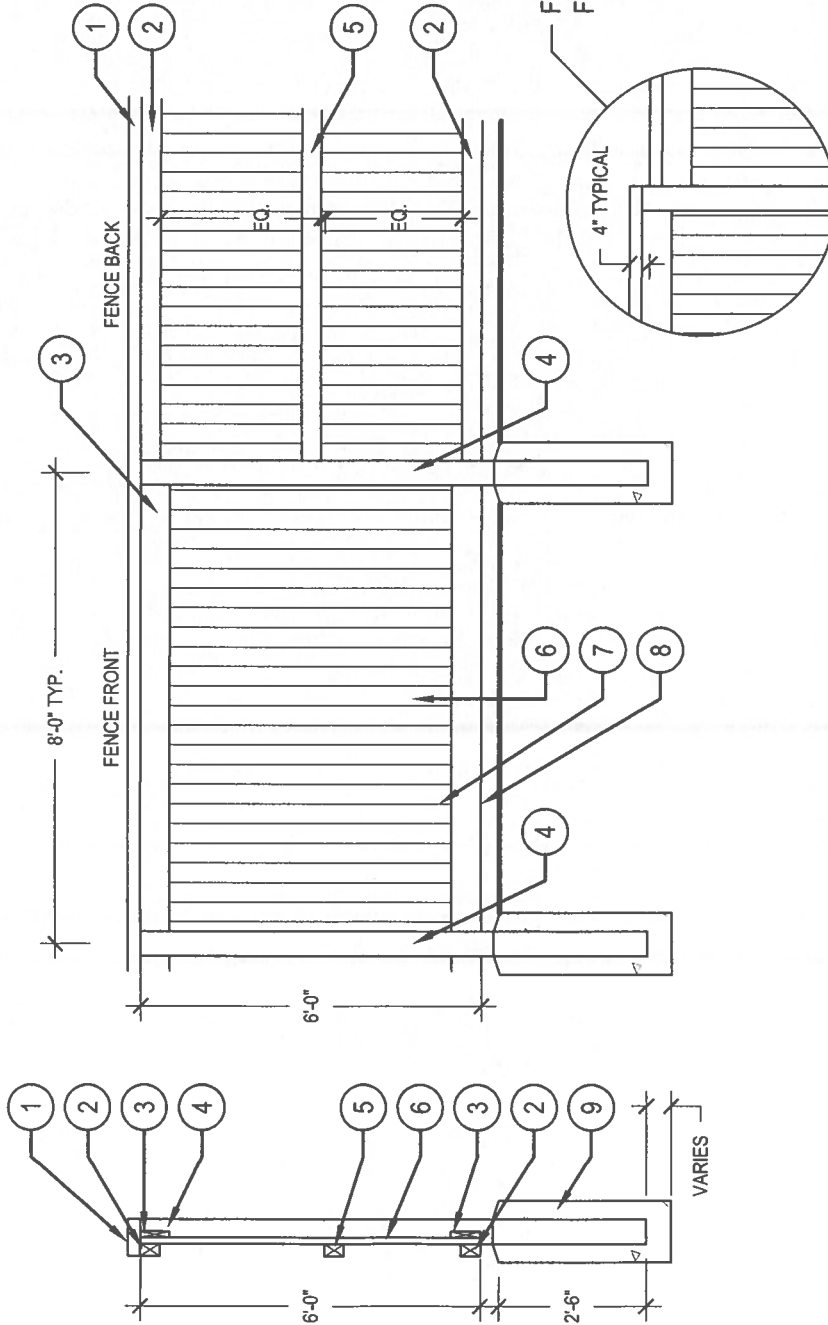
- FOUND MONUMENT AS NOTED
- ⊕ FOUND REBAR WITH PLASTIC CAP LS 3169
- ⊕ FOUND REBAR WITH PLASTIC CAP LS 22098
- ⊕ FOUND REBAR WITH PLASTIC CAP STAMPED PLS 3793
- ⊕ FOUND REBAR WITH PLASTIC CAP STAMPED PLS 3793
- PROPOSED LOT LINE
- EXISTING LOT LINE
- EXISTING RIGHT-OF-WAY
- EXISTING SECTION LINE
- EXISTING EASEMENT
- PLAT BOUNDARY

Scale: 1"=60' feet

SALES PLAT
 DATE: AUGUST 30, 2023
 JOB NO: 0732-0411.00
 SHEET 1 OF 1

TST

FENCING EXHIBIT

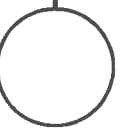


- ① 2" X 6" CAP
- ② 2"X4" RS CEDAR TRIM (TOP & BOTTOM)
- ③ 1"X6" RS CEDAR RAIL - NAIL SECURED
- ④ 4"X4" RS CEDAR POST @ 10' O.C.
- ⑤ 2"X4" RS CEDAR RAIL @ MID HEIGHT
- ⑥ 1"X5" - 5-1/2" CEDAR BOARDS (NO GRIPS)
- ⑦ 1/4" TO 1/2" MAX WIDE GAP
- ⑧ 1"X6" RS CEDAR RAIL - NAIL SECURED, BOTTOM RAIL CAN TOUCH GRADE BUT CANNOT BE BURIED
- ⑨ CONCRETE FOOTING TO FROST DEPTH MINIMUM

FENCING TO STEP AT POST FOR VERTICAL TRANSITION

4" TYPICAL

6' SOLID - 6" PICKETS + POST WOOD FENCE



NOT FOR CONSTRUCTION

SCALE: NTS